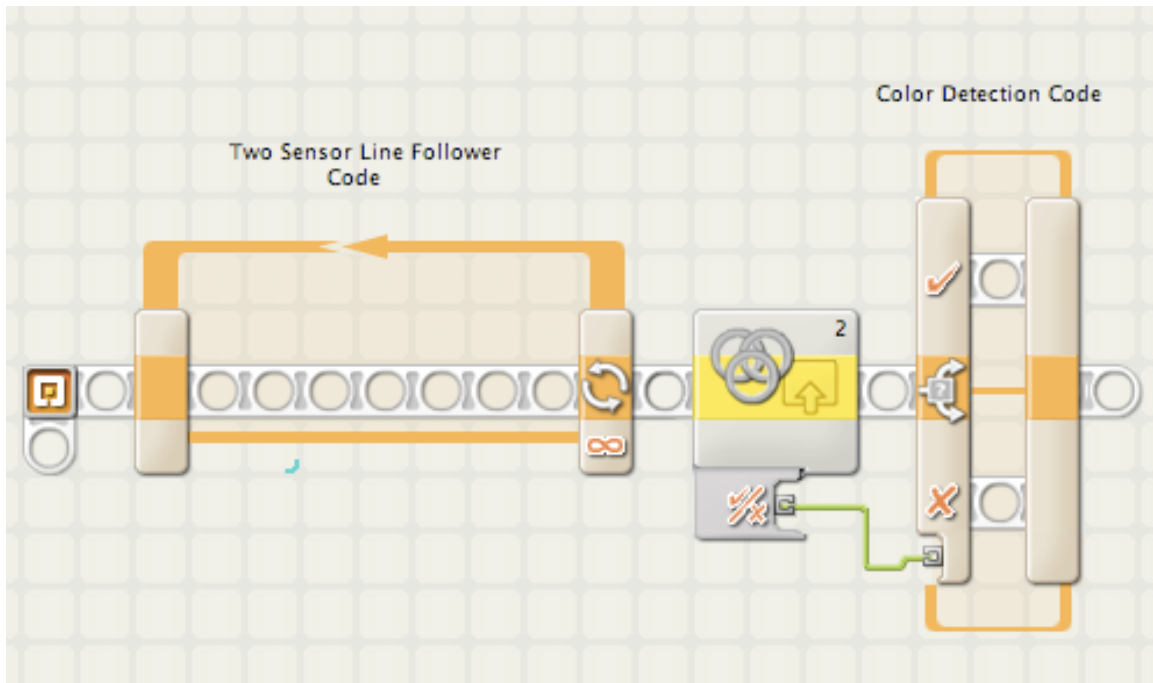


Duke/DPS Robotics Program

11/12

Worksheet 5

Today's project requires a thorough understanding of control flow. Here is the basic structure of a program that might solve the problem. However, there is a critical mistake. What is it?



The mistake you should have found is a control flow error. With that knowledge, can you now define control flow? Write down your definition.